

NEW

# THERMOLOGIKA COLONNA

INFRARED OUTDOOR PATIO HEATER



VENTILATION  
AIR CONDITIONING  
AIR CLEANING  
HEATING



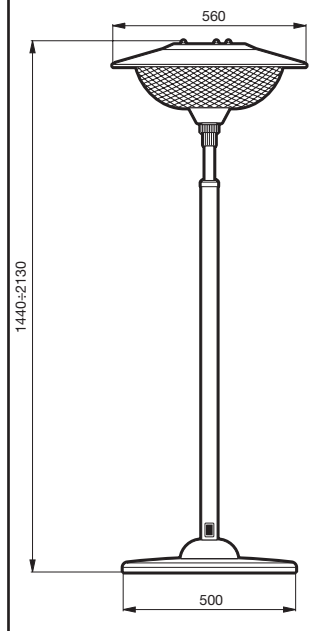
## A MINIATURE SUN YOU CAN USE DURING THE COLD MONTHS

The new Thermologika Colonna infrared heater is a state-of-the-art appliance for localised heating of outdoor areas. The irradiating systems are particularly useful to heat even very large areas, including open-air spaces, in which there is a need for restricted, local warming. Ideal for public premises, it provides an effective alternative to gas heating.

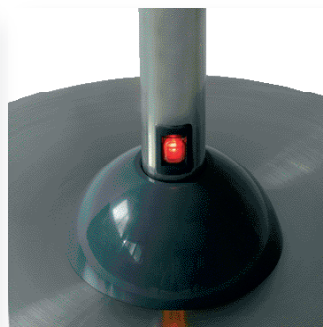
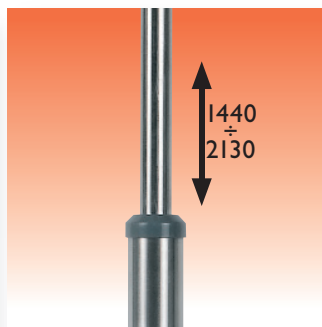
Thermologika Colonna complies with the following standards: SEMCO approved, CE rated. EN 60335-1, EN 60335-2-30, 73/23 EEC and 93/68/EEC and amendments, relating to safety. EN 55014-1, EN 55014-2, EN 61000-3-2 and EN 61000-3-3 and amendments, relating to Electromagnetic Compatibility. EN 50366, relating to Electromagnetic Emissions. EN 60529, relating to IP protection level. it also satisfies the requirements of European Directives 202/95/CE (RoHS) and 2002/96/CE (RAEE) Thermologika Colonna is fitted with 4 infrared lamps, for a total power of 2000 Watts, arranged in such a way as to produce a level of direct heating in the surrounding area similar to that provided by the sun. It is supplied complete with 3 sets of lamps (two replacement sets), giving a total of 12 heating elements.

### Dimensions (mm)

Thermologika Colonna  
Code 70020



- Extremely easy to move and position.
- Guarantees immediate comfort.
- Does not use gas or other flammable substances, so that it does not need refuelling.
- Uses electricity, which overall is more convenient than traditional gas bottles.
- Stainless steel structure gives considerable resistance to weather.
- Particularly attractive appearance.
- Height adjustable telescopic pole, to give an optimum heated area and heat intensity ratio.
- Weatherproof switch on the base of the pole.
- Locking nut with safety grub screw to prevent any removal of the upper part.
- Stability guaranteed by the weighted base, safety switch which is triggered if the appliance falls over, lamps protected by wire mesh to prevent accidental contact.
- Power supply cable 1600 mm long.
- Totally silent: there are no moving parts.



Code x.xxx.xxx.xxx 02/07

Vortice Elettrosociali S.p.A.  
Strada Cerca, 2  
Frazione di Zoate  
20067 Tribiano (Milano)  
Tel. (+39) 02 906991  
Fax (+39) 02 90699314  
Italia

export@vortice-italy.com

Vortice France  
72, Rue Baratte-Cholet  
94106 Saint Maur  
Cedex  
Tél. (+33) 1.55.12.50.00  
Fax (+33) 1.55.12.50.01  
France

contact@vortice-france.com

Vortice Limited  
Beeches House-Eastern Avenue  
Burton on Trent  
DE13 0BB  
Tel. (+44) 1283-49.29.49  
Fax (+44) 1283-54.41.21  
United Kingdom

getit@vortice.ltd.uk



www.vortice.com  
www.vortice-france.com  
www.vortice.ltd.uk